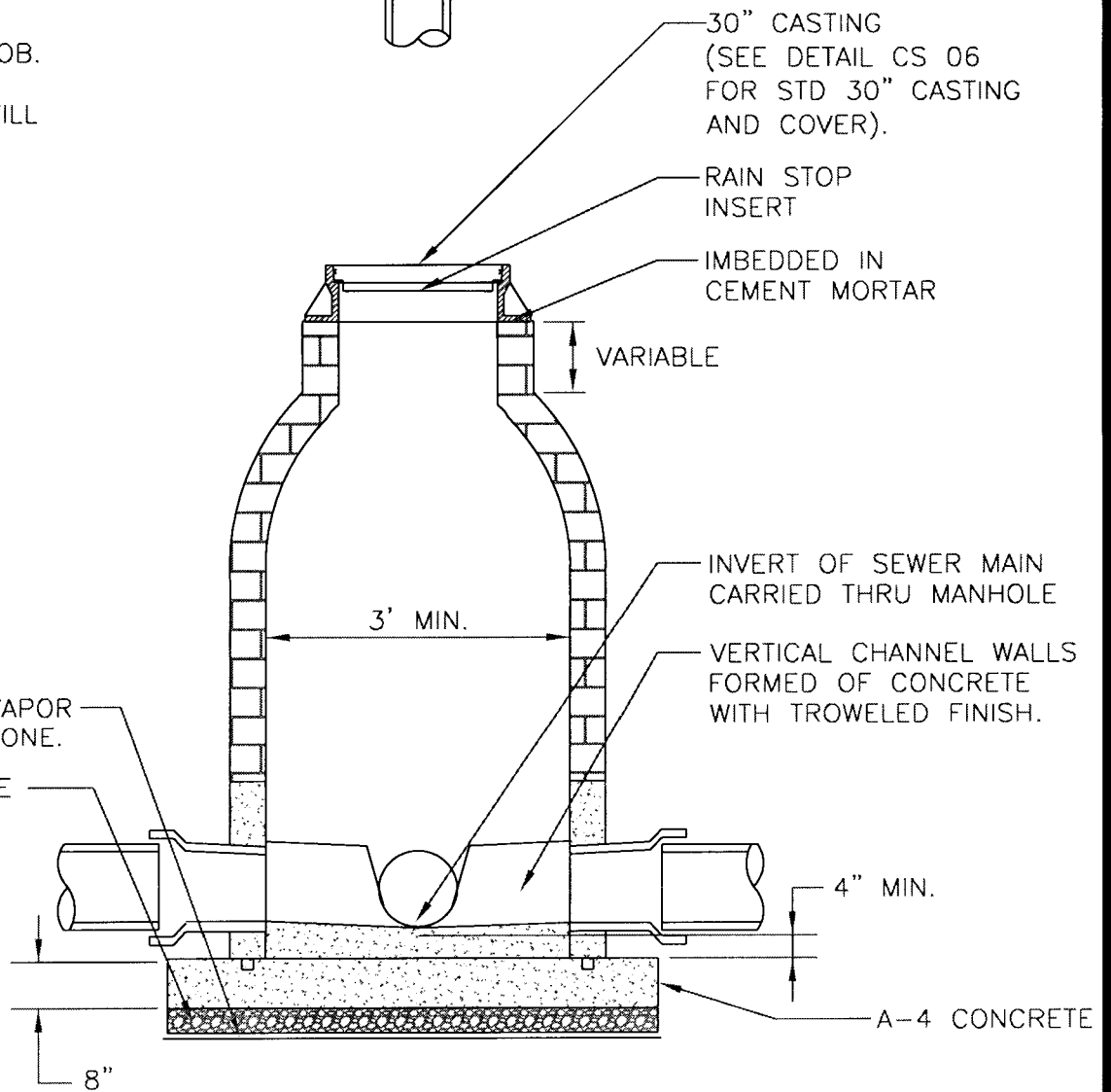
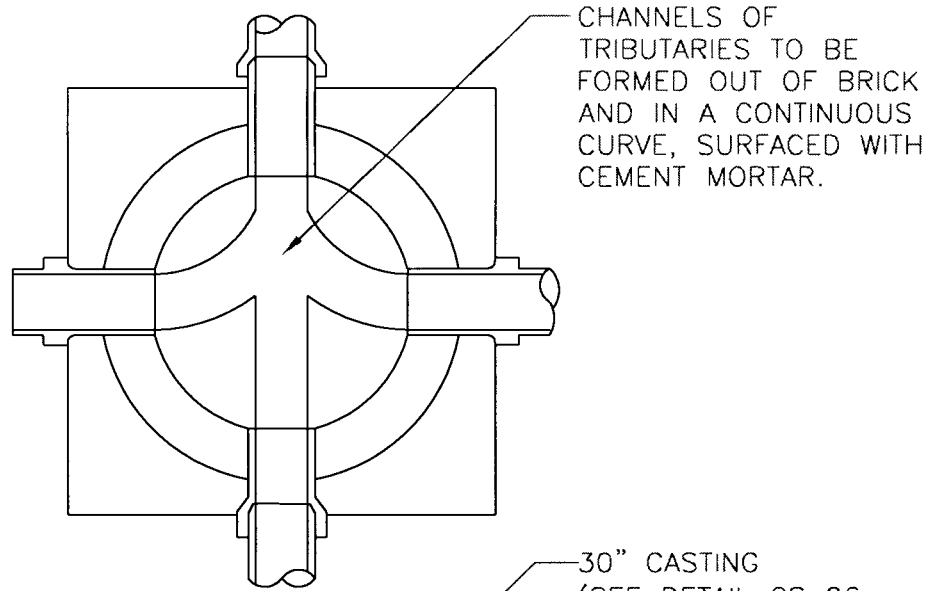


NOTES:

1. MH'S TO HAVE 8" WALL THICKNESS.
2. HARD SOUND COMMON BRICK TO BE LAID IN 1-3 CEMENT MORTAR. SHOVED JOINTS NOT TO EXCEED 3/8" THICK. EXTERIOR FACES TO BE PLASTERED WITH 1-2 CEMENT MORTAR & BITUMINOUS COATING.
3. NO HAND-MIXED CONCRETE WILL BE ALLOWED ON THE JOB. ONLY READY MIXED A4000 CONCRETE WILL BE USED.



CITY OF NORFOLK - DEPARTMENT OF UTILITIES
STANDARD DETAILS

SCALE:
NOT TO SCALE

STANDARD BRICK M.H. USING D.I. PIPE
3 FEET DEEP OR LESS

DRAWING NO.
CS 02

DATE: 07/07