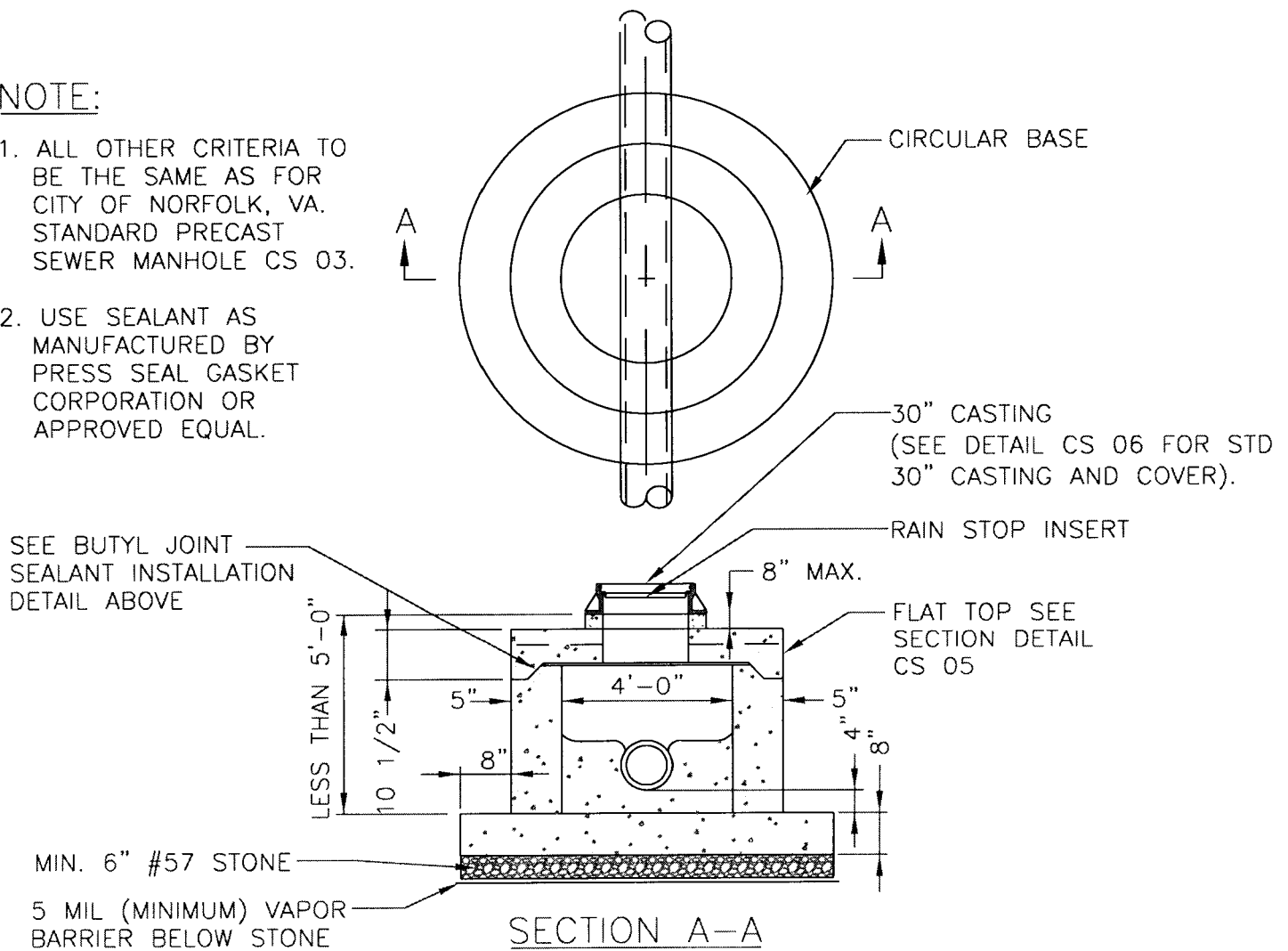


BUTYL JOINT SEALANT INSTALLATION

NOTE:

1. ALL OTHER CRITERIA TO BE THE SAME AS FOR CITY OF NORFOLK, VA. STANDARD PRECAST SEWER MANHOLE CS 03.
2. USE SEALANT AS MANUFACTURED BY PRESS SEAL GASKET CORPORATION OR APPROVED EQUAL.



CITY OF NORFOLK - DEPARTMENT OF UTILITIES
STANDARD DETAILS

SCALE:
NOT TO SCALE

SHALLOW PRECAST SEWER MANHOLE
FOR MANHOLES LESS THAN OR EQUAL TO 5'-0" (INVERT TO TOP OF CASTING)
BUTYL JOINT SEALANT INSTALLATION

DRAWING NO.
CS 04

DATE: 07/07