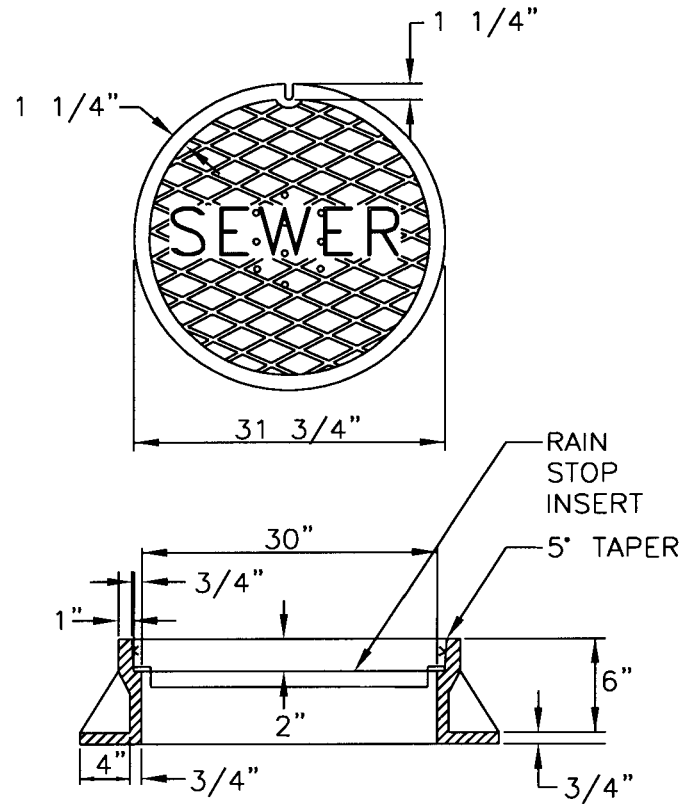
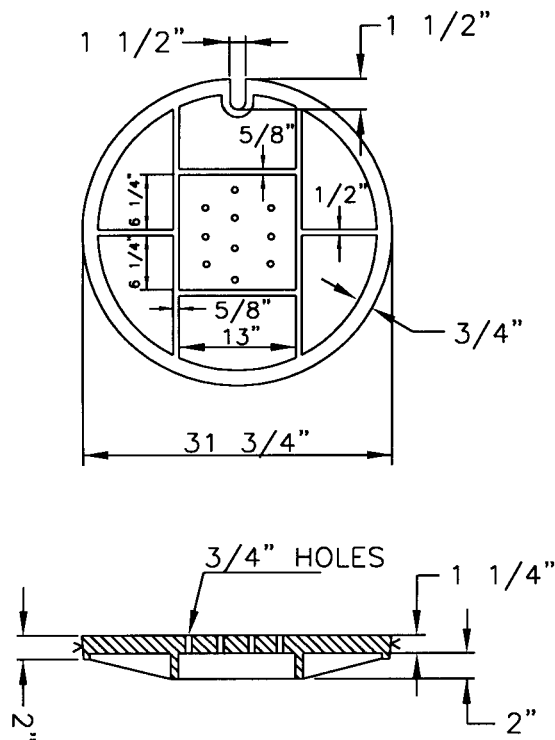
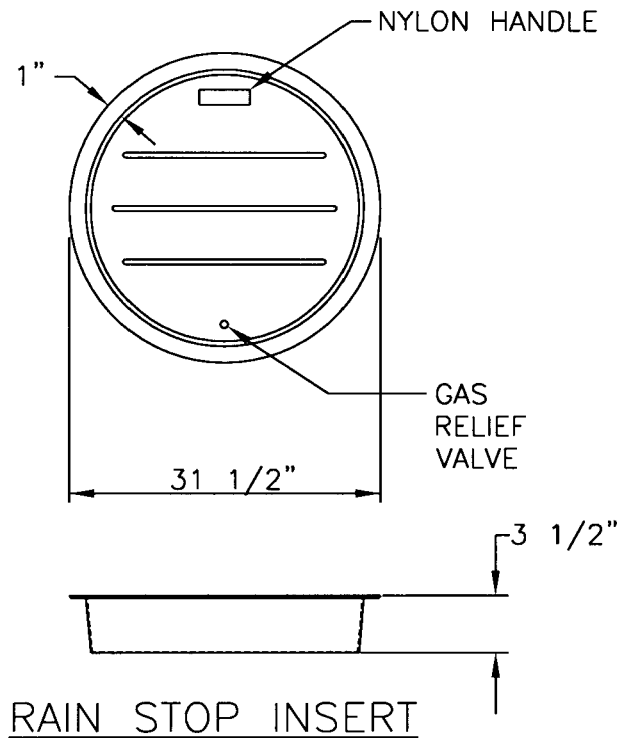


NOTES:

1. LARGE LETTERS IN CENTER OF COVER SHALL BE SEWER OR AS SPECIFIED IN ORDER.
2. CAST IRON SHALL BE 35,000 P.S.I. ATSM A48 CLASS 35B
3. CASTING AND COVER IS TO BE MACHINED TO INSURE A FIRM TIGHT FIT.
4. RAIN STOP INSERT - OF 304 STAINLESS STEEL W/ NITRILE GAS RELIEF VALVE, 1" WEBBED NYLON HANDLE, AND CLOSED CELL NEOPRENE GASKET.



CITY OF NORFOLK - DEPARTMENT OF UTILITIES  
STANDARD DETAILS

SCALE:  
NOT TO SCALE

STANDARD 30" MANHOLE CASTING & COVER

DRAWING NO.  
CS 06

DATE: 03/07