

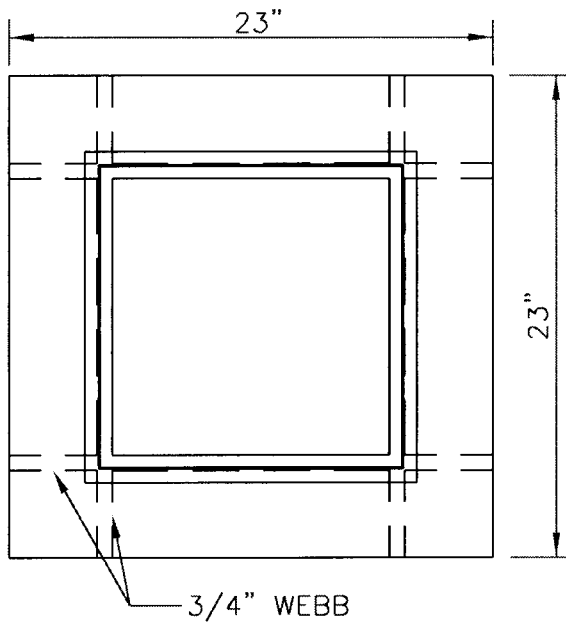
NOTE:

1. LETTER ON COVER SHALL BE "S".

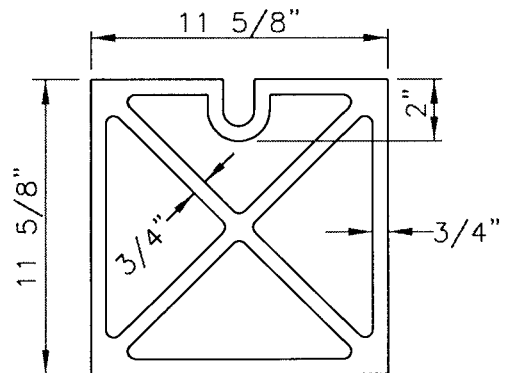
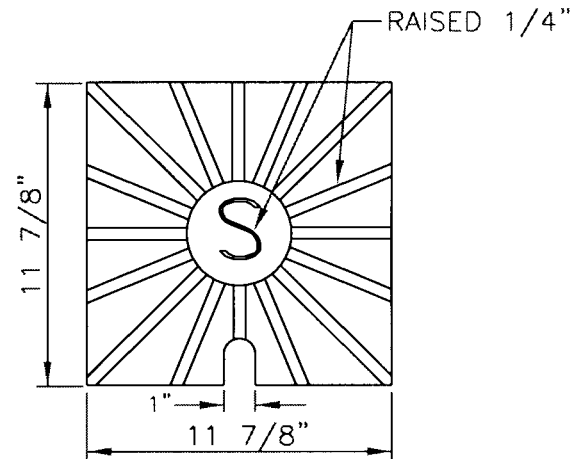
GENERAL SPECIFICATIONS

1. CAST IRON SHALL BE 35,000 PSI

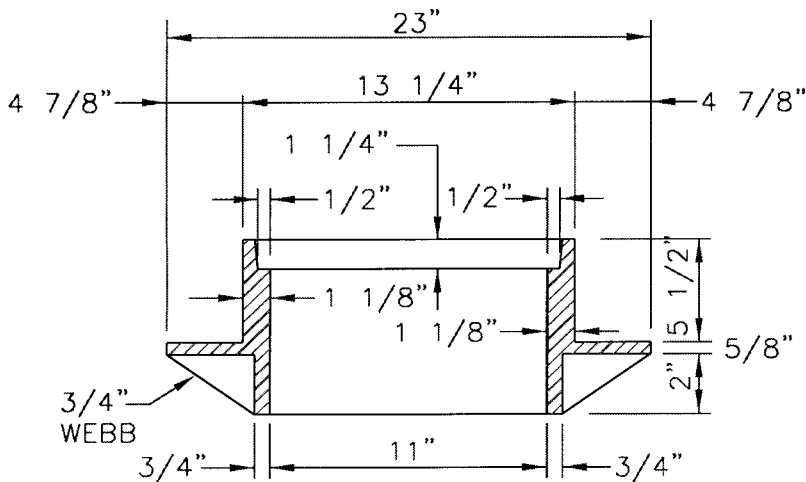
2. ASTM A48 CLASS 35B



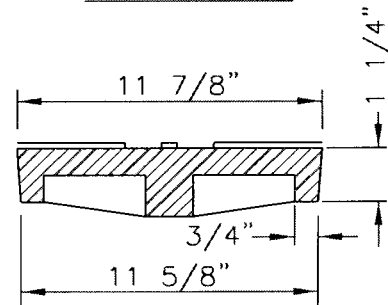
PLAN VIEW



PLAN VIEW  
VALVE LID



PROFILE



PROFILE

CITY OF NORFOLK – DEPARTMENT OF UTILITIES  
STANDARD DETAILS

SCALE:  
NOT TO SCALE

MAINLINE CLEANOUT CASTING AND COVER

DRAWING NO.  
CS 10

DATE: 03/07