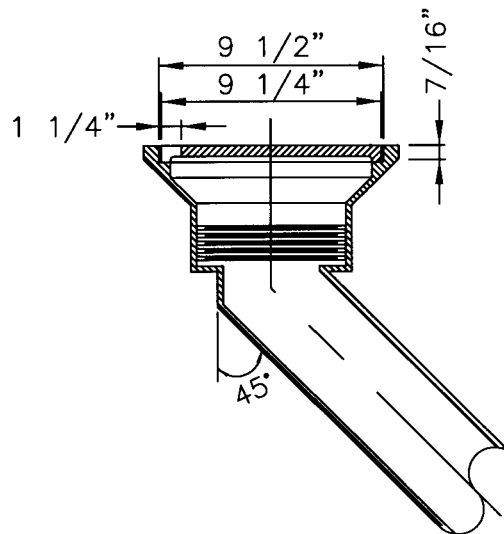


PLAN



SECTION A-A

NOTE:

1. PROPERTY LINE CLEANOUT SHALL HAVE A THREADED LATERAL CLEANOUT BOX, MEET CAST IRON-ASTM A-48 CLASS-35B REQUIREMENTS, BE FINISH-ASPHALT COATED, AND HAVE AN AVERAGE WEIGHT OF 37 LBS AS MANUFACTURED BY CAPITAL FOUNDRY ITEM NO. VB-110T-C/O OR APPROVED EQUAL.

CITY OF NORFOLK - DEPARTMENT OF UTILITIES  
STANDARD DETAILS

SCALE:  
NOT TO SCALE

PROPERTY LINE CLEANOUT

DRAWING NO.  
CS 12

DATE: 10/07