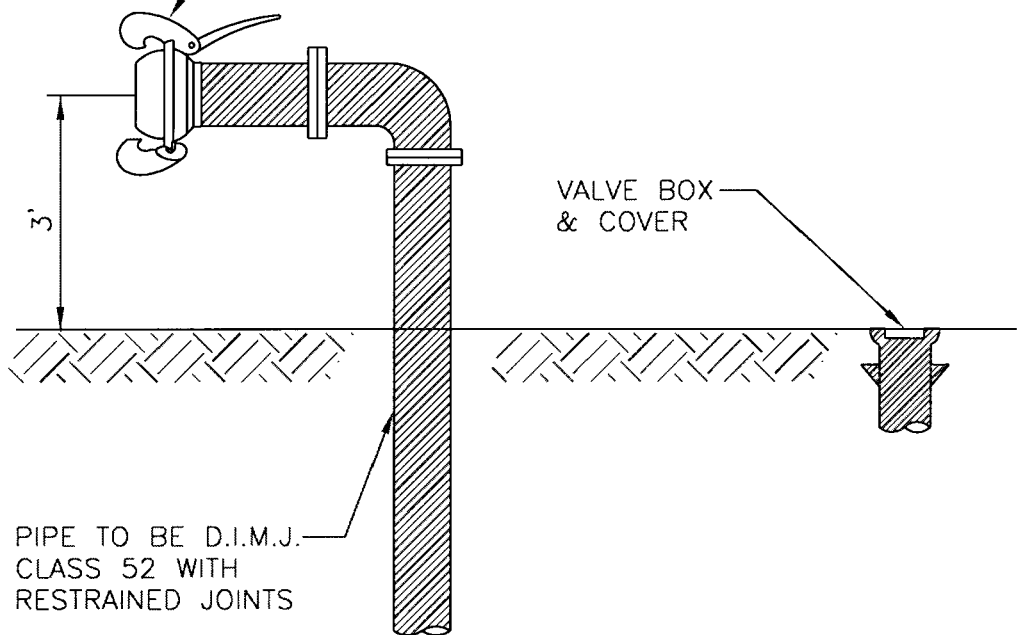


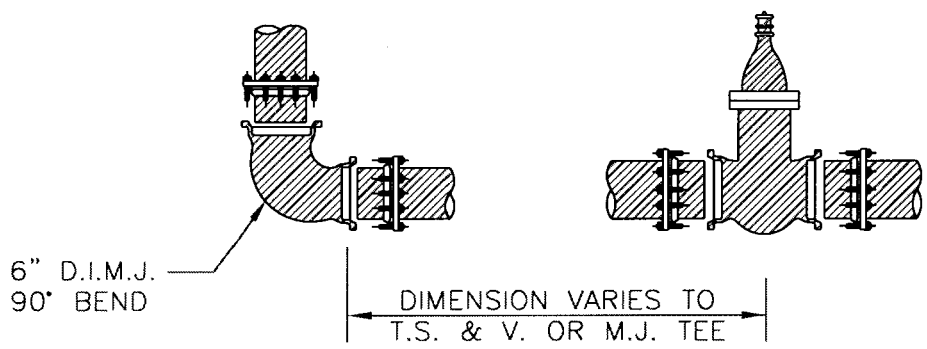
FLANGE X-BALL
COUPLING W/ CAP



- NOTES**
1. PUMP CONNECTION SHALL HAVE BAUER FLANGE X-BALL QUICK DISCONNECT COUPLING PART NO. 100-7005 OR APPROVED EQUAL.
 2. ALL PIPE AND FITTINGS TO BE LINED WITH PROTECTO 401 OR AN APPROVED EQUAL.

PIPE TO BE D.I.M.J.
CLASS 52 WITH
RESTRAINED JOINTS

VALVE BOX
& COVER



6" D.I.M.J.
90° BEND

DIMENSION VARIES TO
T.S. & V. OR M.J. TEE

CITY OF NORFOLK – DEPARTMENT OF UTILITIES
STANDARD DETAILS

SCALE:
NOT TO SCALE

EMERGENCY PUMP CONNECTION

DRAWING NO.
CS 13

DATE: 03/07