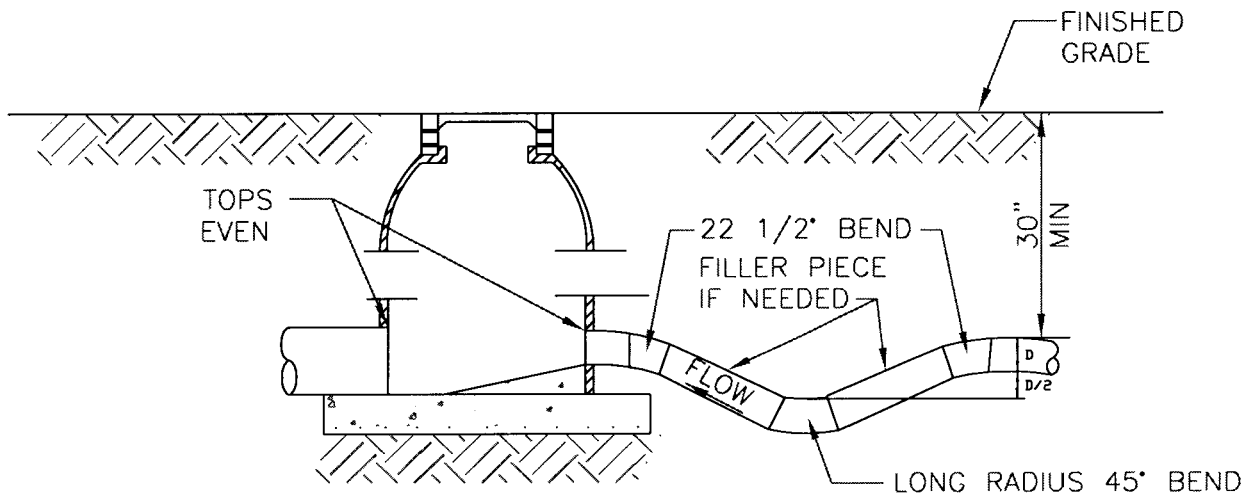


FOR DISCHARGE INTO DEEP MANHOLE



FOR DISCHARGE INTO SHALLOW MANHOLE

MEGA-LUG OR APPROVED EQUAL  
REQUIRED ON ALL BENDS

CITY OF NORFOLK – DEPARTMENT OF UTILITIES  
STANDARD DETAILS

SCALE:  
NOT TO SCALE

FORCE MAIN DISCHARGE CONNECTION

DRAWING NO.  
CS 14

DATE: 03/07