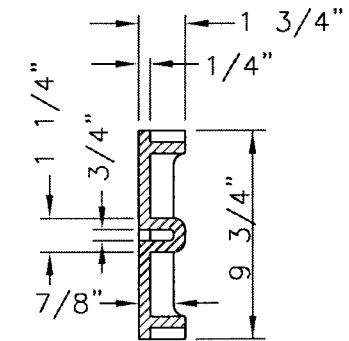
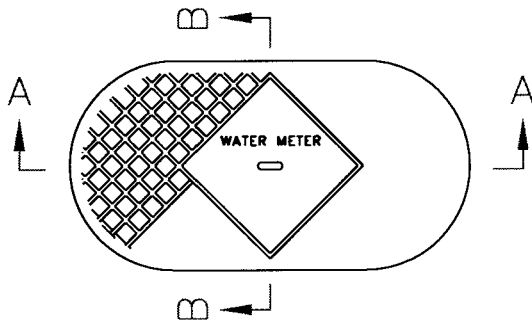
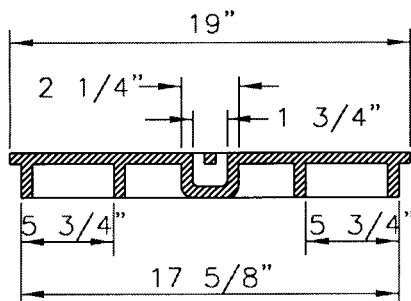


SECTION C-C



SECTION B-B



SECTION A-A

GENERAL SPECIFICATIONS:

1. CAST IRON SHALL BE 35,000 P.S.I.
2. ASTM A-48 CLASS 35B

CITY OF NORFOLK – DEPARTMENT OF UTILITIES
STANDARD DETAILS

SCALE:
NOT TO SCALE

WATER METER BOX & COVER

DRAWING NO.
CW 02

DATE: 03/07