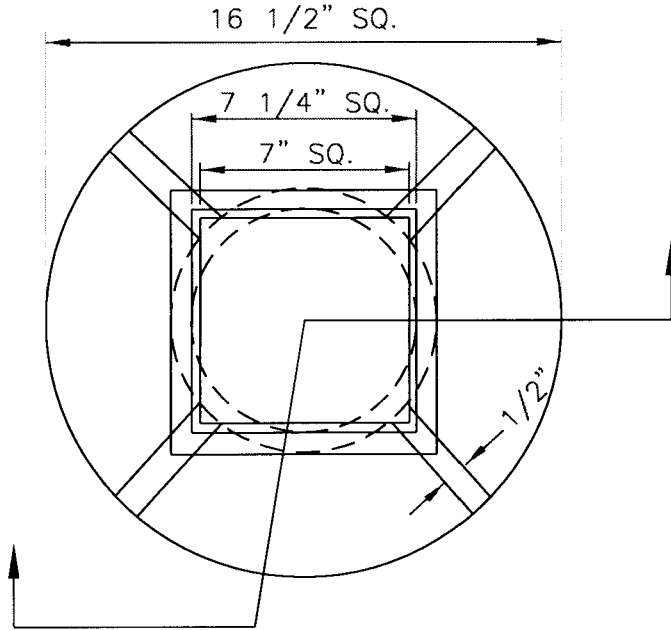


NOTE:

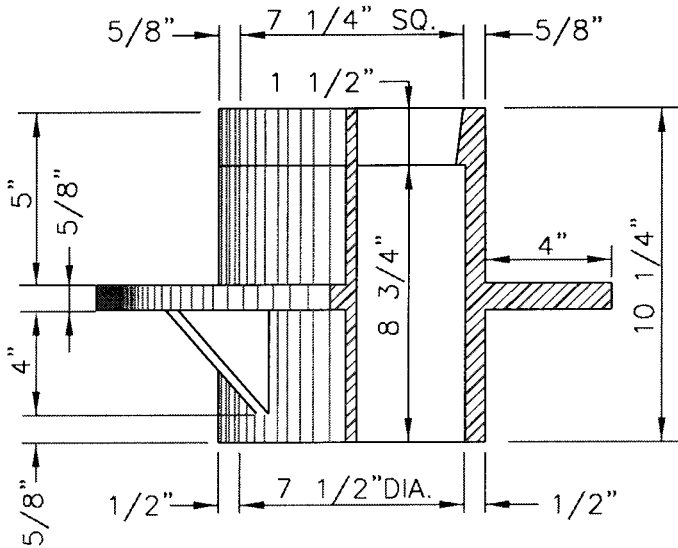
1. LETTER ON COVER SHALL BE "S" WHEN USED IN SAN. SEWER SYSTEM AND "W" WHEN USED IN WATER SYSTEM.
2. RISER FOR VALVE BOX SHALL MATCH TYPE OF PIPE USED FOR MAIN.

GENERAL SPECIFICATIONS

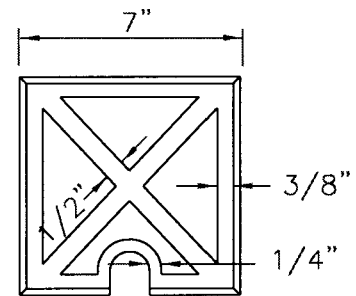
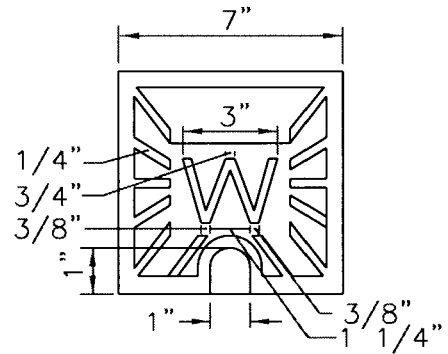
1. CAST IRON SHALL BE 35,000 PSI
2. ASTM A48 CLASS 35B



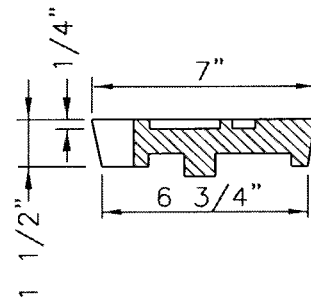
PLAN VIEW



PROFILE VALVE BOX



PLAN VIEW VALVE LID



PROFILE VALVE LID

CITY OF NORFOLK – DEPARTMENT OF UTILITIES  
STANDARD DETAILS

SCALE:  
NOT TO SCALE

SMALL GATE VALVE BOX  
FOR MAINS UP TO 6 INCHES

DRAWING NO.  
CWS 02

DATE: 03/07