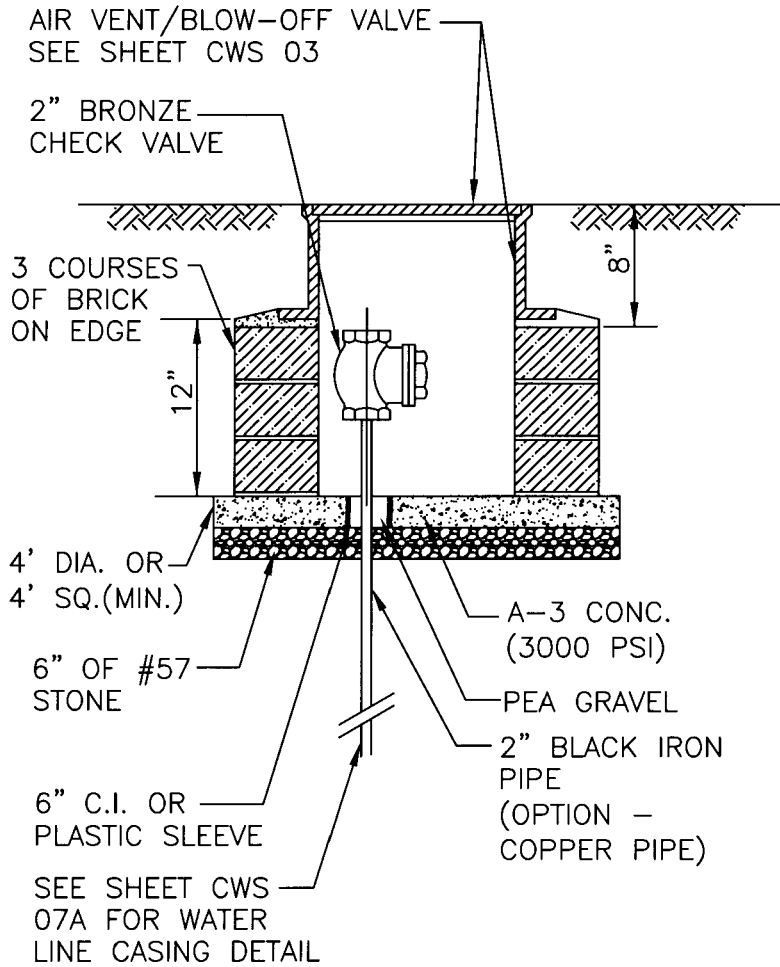
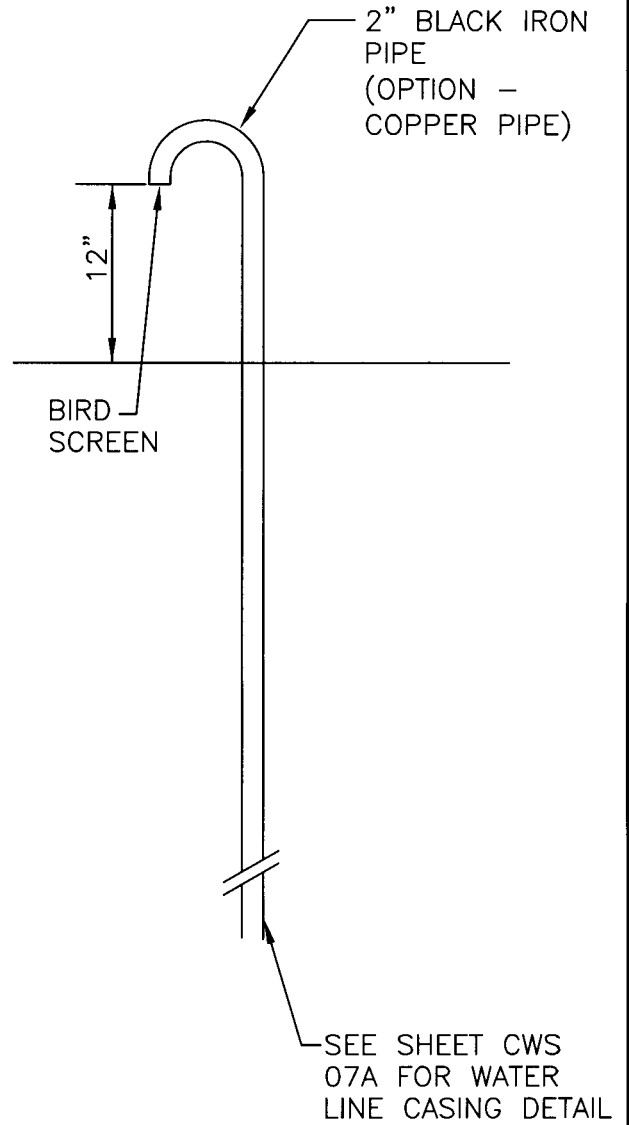


OPTION 2



OPTION 1



NOTES:

1. MACHINE SEATING SURFACES ON BOTH COVER & FRAME.
2. ALL CASTINGS TO BE DIPPED IN ASPHALTIC PAINT AFTER MACHINING
3. TOLERANCE TO BE ± 0.125 " FOR ALL DIMENSIONS.
4. CASTING TO BE SHOT BLASTED.
5. CASTINGS TO BE ASTM A48 CLASS 35B.

CITY OF NORFOLK - DEPARTMENT OF UTILITIES
STANDARD DETAILS

SCALE:
NOT TO SCALE

CASING LEAK DETECTOR OPTIONS 1 & 2

DRAWING NO.
CWS 07B

DATE: 10/07