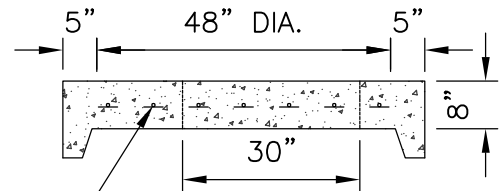
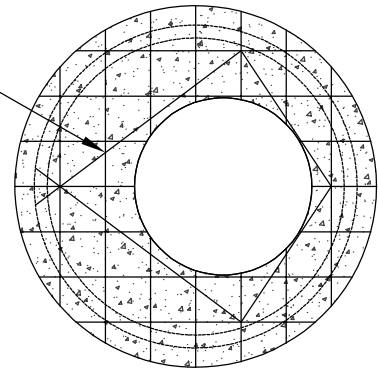


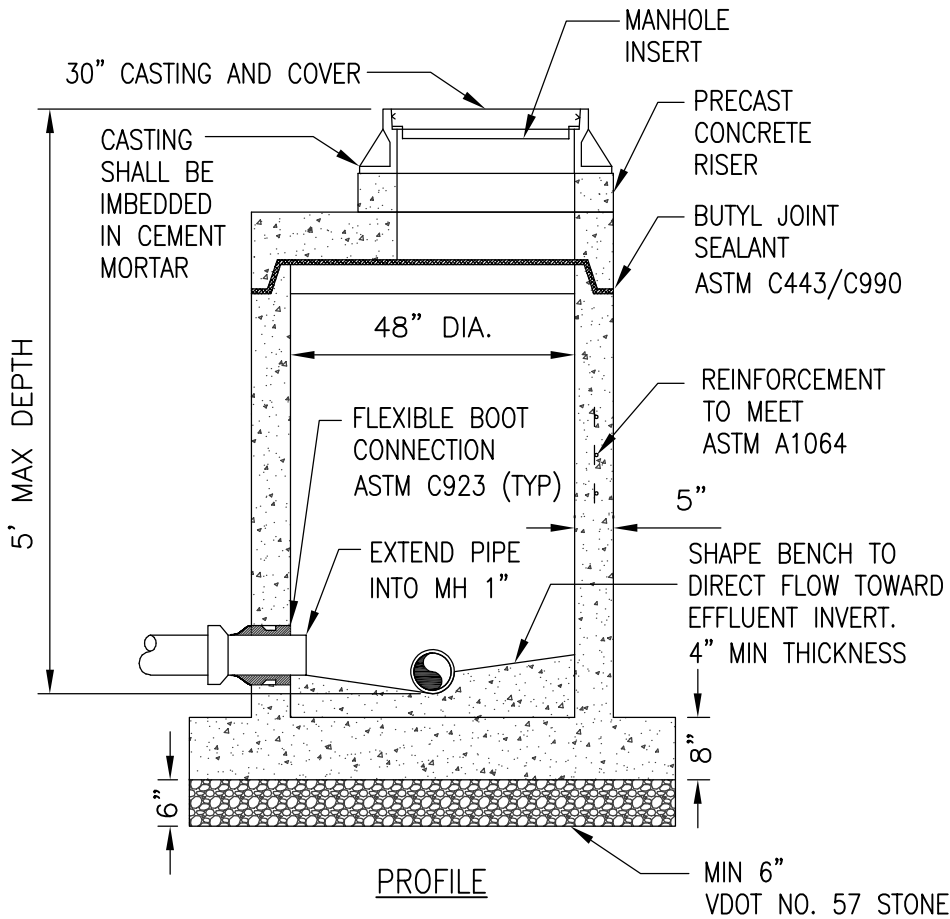
WELD WHERE REINFORCEMENT OVERLAPS (TYP.)



REINFORCEMENT TO MEET ASTM A1064

**NOTE:**

1. ALL MANHOLE WALLS SHALL RECEIVE INSIDE APPLICATION OF SIKAGARD HIGH-BUILD OR APPROVED EQUAL APPLIED IN 3-4 COATS OF 4-7 MILS.
2. JOINTS, LIFT HOLES & CHIPS TO BE POINTED WITH NONSHRINK GROUT AND COATED WITH SIKAGARD HIGH-BUILD OR APPROVED EQUAL ON INSIDE WALL, AND PAINTED WITH BITUMINOUS COATING ON OUTSIDE WALL.
3. MANHOLE SHALL MEET ALL REQUIREMENTS OF ASTM C478.
4. CONCRETE SHALL BE 4000 PSI COMPRESSIVE STRENGTH MINIMUM.
5. BASES SHALL BE EXTENDED MONOLITHIC TYPE.



CITY OF NORFOLK – DEPARTMENT OF UTILITIES  
STANDARD DETAILS

SCALE:  
NOT TO SCALE

PRECAST SEWER MANHOLE  
FOR DEPTHS 3 FEET TO 5 FEET

DRAWING NO.  
CS 02

DATE: 03/18