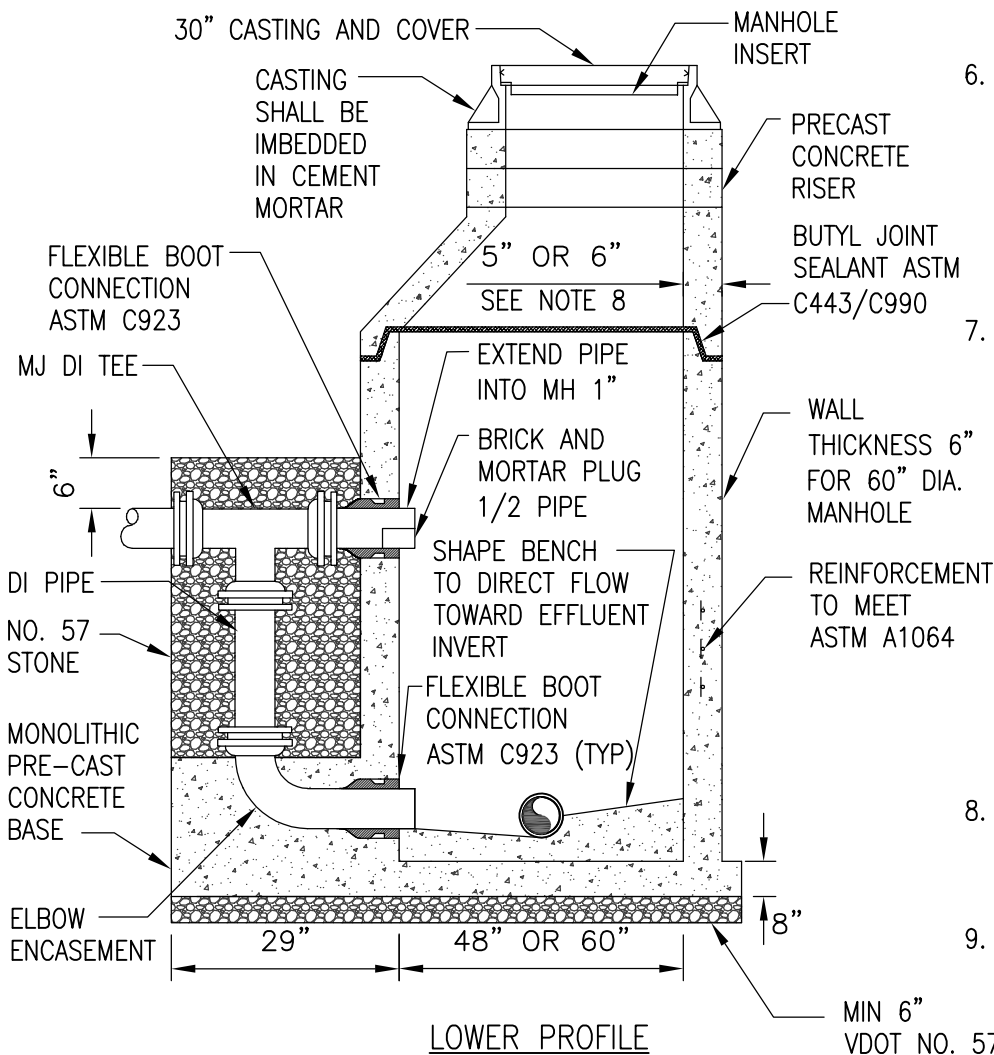


LOWER PLAN



LOWER PROFILE

NOTE:

1. ALL MANHOLE WALLS SHALL RECEIVE INSIDE APPLICATION OF SIKAGARD HIGH-BUILD OR APPROVED EQUAL APPLIED IN 3-4 COATS OF 4-7 MILS.
2. JOINTS, LIFT HOLES & CHIPS TO BE POINTED WITH NONSHRINK GROUT AND COATED WITH SIKAGARD HIGH-BUILD OR APPROVED EQUAL ON INSIDE WALL, AND PAINTED WITH BITUMINOUS COATING ON OUTSIDE WALL.
3. MANHOLE SHALL MEET ALL REQUIREMENTS OF ASTM C478.
4. CONCRETE SHALL BE 4000 PSI COMPRESSIVE STRENGTH MINIMUM.
5. BASES SHALL BE EXTENDED MONOLITHIC TYPE.
6. THE DIFFERENCE BETWEEN THE INFLUENT PIPE INVERT AND THE MANHOLE EFFLUENT INVERT SHALL BE NO GREATER THAN 1.99 FEET. IF EQUAL TO OR GREATER THAN 2 FEET AN OUTSIDE DROP CONNECTION IS REQUIRED.
7. MANHOLES SHALL BE DESIGNED TO PREVENT FLOTATION WITHOUT THE BENEFIT OF SKIN FRICTION WHEN THE GROUND WATER LEVEL IS AT THE FINISHED GROUND SURFACE. THE FLOTATION FORCES SHALL BE RESISTED BY THE DEAD LOAD OF THE STRUCTURE AND THE SOIL DIRECTLY ABOVE THE STRUCTURE. THE WEIGHT OF THE EQUIPMENT AND PIPING WITHIN THE STRUCTURE AND THE SOIL FRICTIONAL FORCES SHALL NOT BE CONSIDERED AS BEING EFFECTIVE IN RESISTING FLOTATION FORCES.
8. MINIMUM WALL THICKNESS FOR A 48-INCH DIA. MANHOLE IS 5 INCHES  
60-INCH DIA. MANHOLE IS 6 INCHES
9. MAX PRECAST SECTION HEIGHT FOR A 48-INCH DIA. MANHOLE IS 4 FEET  
60-INCH DIA. MANHOLE IS 5 FEET



CITY OF NORFOLK – DEPARTMENT OF UTILITIES  
STANDARD DETAILS

SCALE:  
NOT TO SCALE

PRECAST SEWER DROP MANHOLE

DRAWING NO.  
CS 05

DATE: 03/18