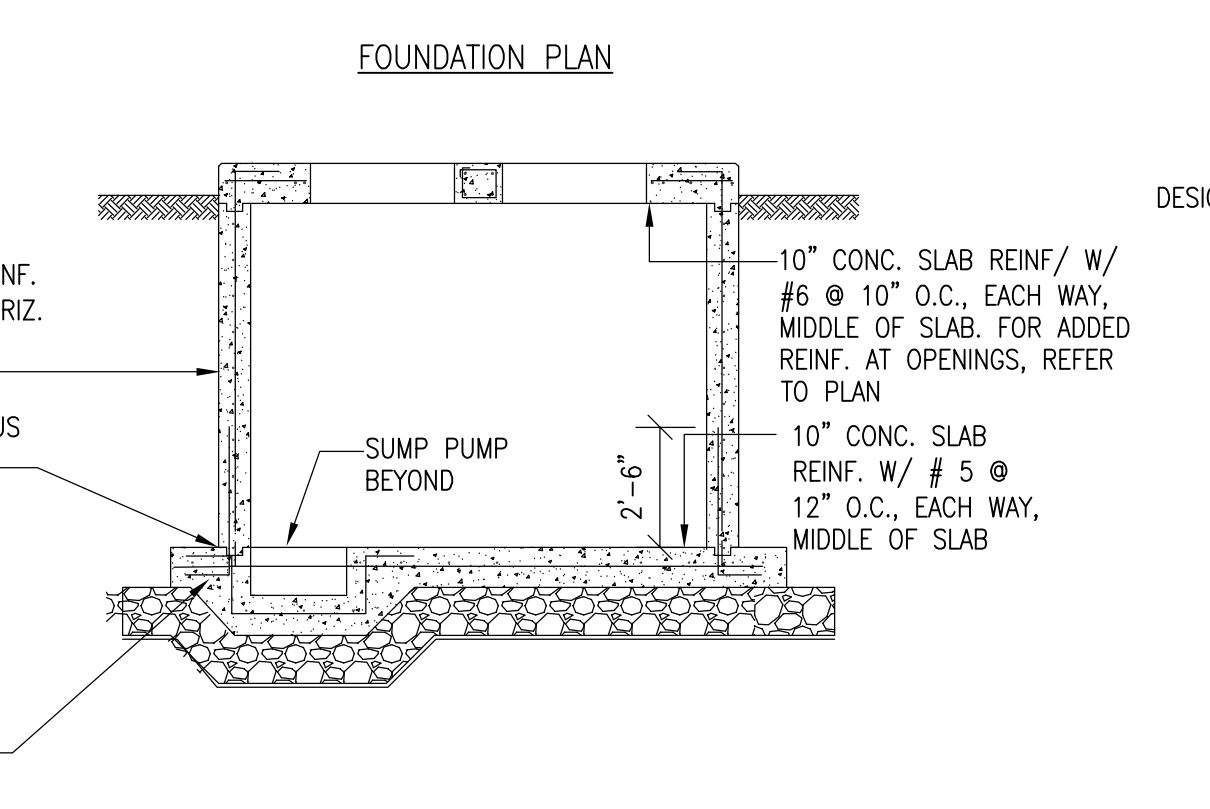
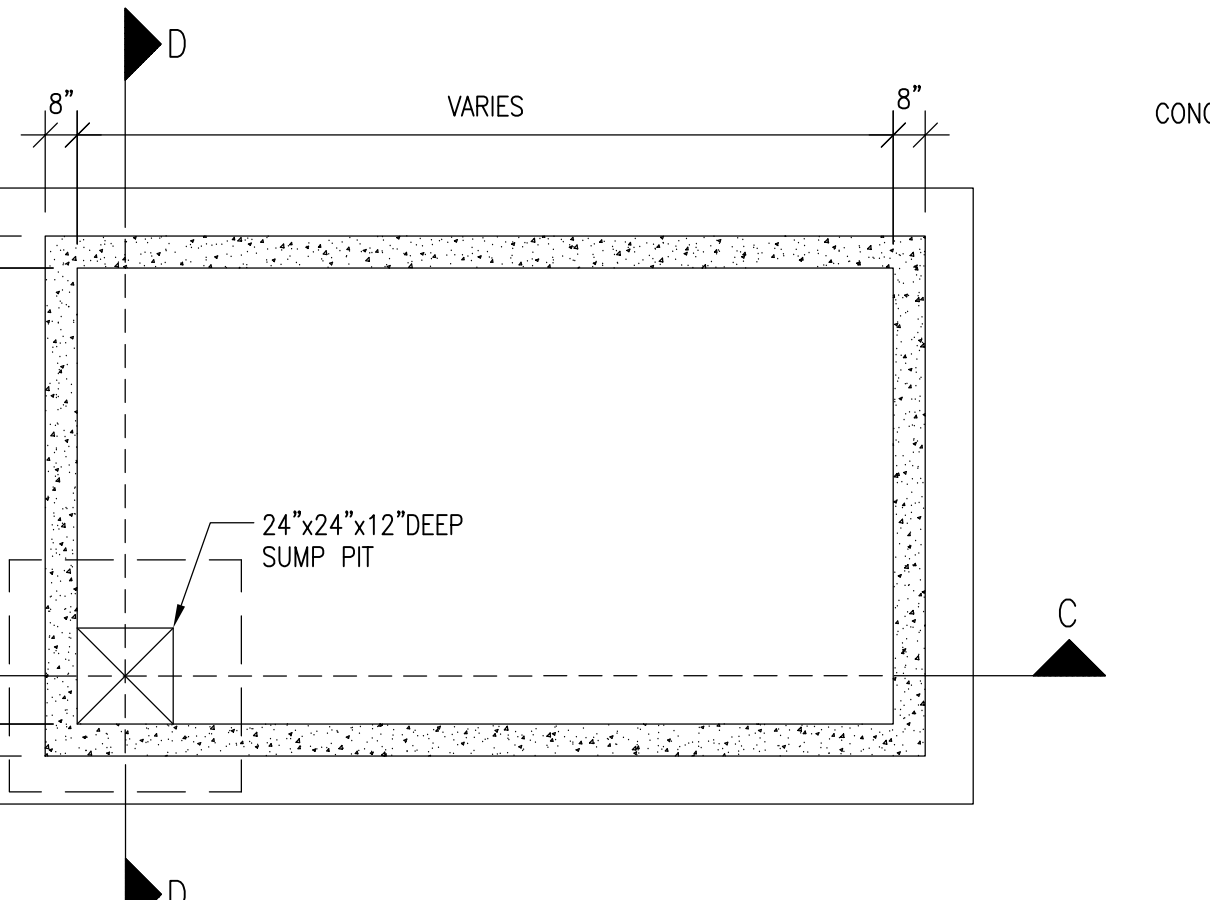
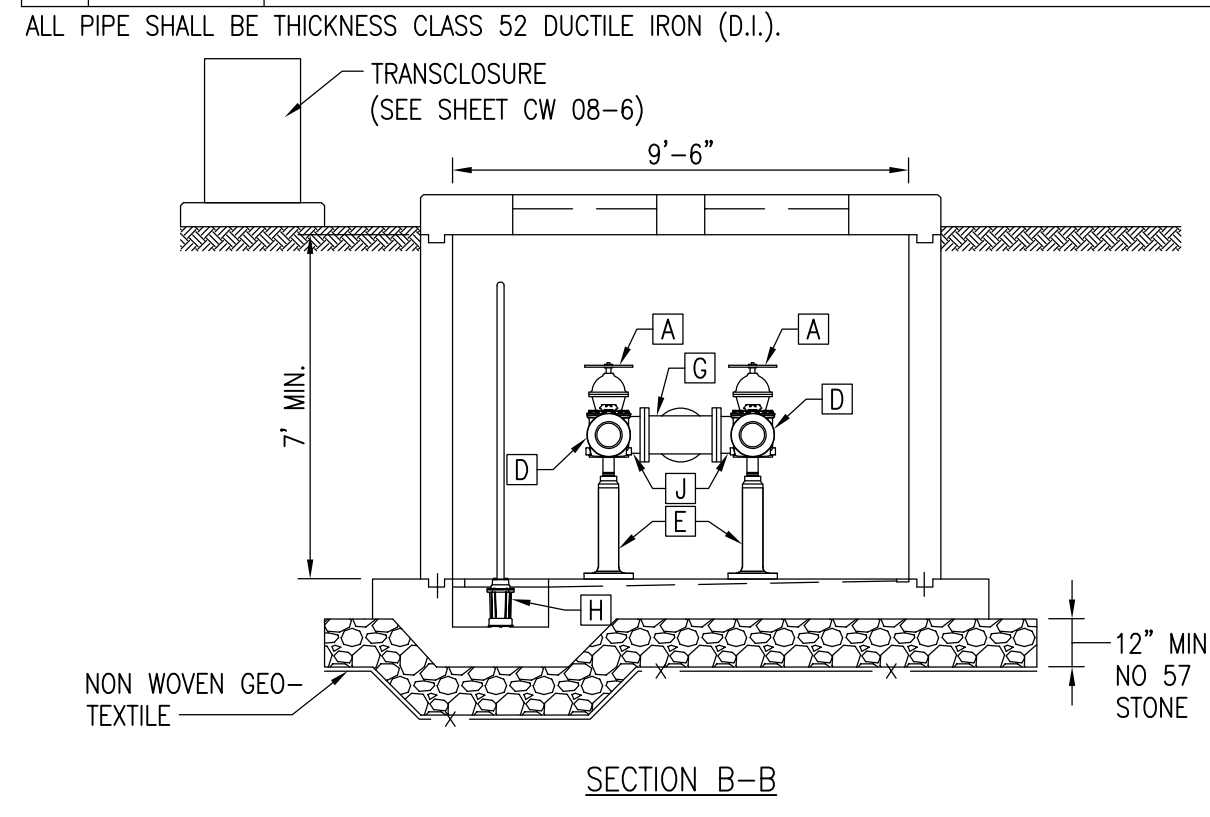


FITTING SCHEDULE		
NO.	SIZE	DESCRIPTION
A	6" TO 12"	GATE VALVE WHEEL OPERATED
B	8" TO 12"	GATE VALVE WITH VALVE BOX
C	6" TO 12"	CHECK VALVE
D	6" TO 12"	METER WITH STRAINER
E	-	PIPE SUPPORT
F	VARIES	REDUCER (AS REQUIRED)
G	VARIES	FLANGED TEE
H	-	SUMP PUMP
J	VARIES	REDUCING 90 DEGREE ELBOW
K	6" TO 12"	SPOOL PIECE
L	6" TO 12"	SMITH BLAIR 912 CAST FLANGED COUPLING ADAPTER OR APPROVED EQUAL
M	-	WALL SLEEVE WITH MODULAR MECHANICAL SEAL (LINK SEAL OR EQUAL)



STRUCTURAL ABBREVIATIONS	
HORIZ	HORIZONTAL
MAX	MAXIMUM
MIN	MINIMUM
O.C.	ON CENTER
PSF	POUNDS PER SQUARE FOOT
PSI	POUNDS PER SQUARE INCH
REINF	REINFORCEMENT
TYP	TYPICAL

CONCRETE WORK

- UNLESS OTHERWISE NOTED OR DETAILED ALL CONCRETE WORK SHALL BE IN ACCORDANCE WITH THE AMERICAN CONCRETE CODE (A.C.I. 318) AND ITS LATEST AMENDMENTS AND THE SPECIFICATIONS FOR STRUCTURAL CONCRETE FOR BUILDINGS (ACI 301).
- ALL CONCRETE SHALL BE NORMAL WEIGHT AGGREGATE CONCRETE HAVING A MINIMUM COMPRESSIVE STRENGTH OF 4,500 P.S.I. AT THE AGE OF 28 DAYS. CONCRETE EXPOSED TO WEATHER SHALL BE AIR ENTRAINED.
- ALL REINFORCING SHALL CONFORM TO ASTM A-615, GRADE 60.
- ALL REINFORCING STEEL SHALL BE HELD SECURELY IN PLACE TO PREVENT DISLOCATION DURING THE POURING OPERATION. SLAB REINFORCING BARS SHALL BE SUPPORTED ON HIGH CHAIRS AND BAR SPACERS OF SUITABLE DESIGN, OR CONCRETE BLOCKS HAVING THE SAME MINIMUM COMPRESSIVE STRENGTH OF THE CONCRETE SLAB.
- DETAILING OF ALL CONCRETE STEEL REINFORCEMENT SHALL BE IN ACCORDANCE WITH THE MANUAL OF STANDARD PRACTICE FOR DETAILING REINFORCED CONCRETE STRUCTURES (A.C.I. 315).
- EXCEPT AS OTHERWISE SHOWN MINIMUM PROTECTION (CONCRETE COVER) FOR REINFORCING STEEL SHALL BE AS FOLLOWS: CONCRETE SURFACES EXPOSED TO EARTH OR WEATHER: 1-1/2" CONCRETE DETAIL FOR HATCHES SHALL BE COORDINATED WITH ACTUAL PRODUCT DETAIL AND REQUIREMENTS.

DESIGN CRITERIA

- VIRGINIA UNIFORM STATEWIDE BUILDING CODE - 2009 EDITION ADOPTED MARCH, 2011.
- REFERENCED CODES: ACI 318 & COMMENTARY, BUILDING CODE FOR REINFORCED CONCRETE; ANSI/AISC 360-05, SPECIFICATION FOR STRUCTURAL STEEL BUILDINGS.

DESIGN LOADS

1. DESIGN LIVE LOADS USED IN THE DESIGN OF THIS STRUCTURE ARE AS FOLLOWS: UNIFORM LIVE LOADS: 100 PSF, WHEEL LOAD: H-20 TRUCK

GENERAL NOTES:

- GENERAL**
- NOT FOR CONSTRUCTION WITHOUT P.E. SEAL FOR REQUIRED DISCIPLINE.
 - PERFORM CONFLICT REVIEW WITH RELEVANT FRANCHISE UTILITY OWNERS.
- VAULT**
- EXCAVATION FOR METER VAULT SHALL BE EXTENDED A MINIMUM OF 12" BELOW BOTTOM OF BASE SLAB ELEVATION. THE UNDERCUT EXCAVATION SHALL BE COVERED WITH A NON-WOVEN GEOTEXTILE FABRIC; SUCH AS, TREVIRA SPUNBOND TYPE 1120 OR EQUIVALENT AND REFILLED TO THE REQUIRED GRADE WITH COARSE AGGREGATE #57 (12" MINIMUM).
 - PROVIDE 6 MIL MINIMUM POLYURETHANE VAPOR BARRIER BETWEEN BASE SLAB AND COARSE AGGREGATE.
 - SHEAR KEYS AND AN APPROVED WATERSTOP SHALL BE PROVIDED AT ALL JOINTS.
 - TOP SLAB SHALL BE DESIGNED FOR H-20 TRAFFIC LOADING. VAULT NOT INTENDED TO BE IN HIGH DENSITY TRAFFIC.
 - ALL CONCRETE CONSTRUCTION SHALL BE IN ACCORDANCE WITH ACI-318.
 - ALL EXPOSED EDGES SHALL BE CHAMFERED 3/4".
 - ALL EXTERIOR SURFACES OF THE VAULT BELOW GRADE SHALL RECEIVE A WATER TIGHT COAT OF FLEXIBLE FIBER REINFORCED ACRYLIC EMULSION WATER PROOFING MEMBRANE.
 - ALL ITEMS INDICATED OR SHOWN SHALL BE INCLUDED IN THE COST OF THE VAULT.

- DIMENSIONS**
- TOP OF VAULT SHALL BE 6" ABOVE THE ADJACENT GROUND ELEVATION.
 - VAULT SHALL HAVE A MINIMUM INTERIOR CLEAR HEIGHT OF 7'-0".
 - INTERIOR PIPING SHALL BE 3" FROM PIPE CENTERLINE TO THE FLOOR AND A MINIMUM CLEAR DISTANCE OF 3" BETWEEN VAULT INTERIOR WALL AND EDGE OF PIPE.
 - EXTERIOR GATE VALVES SHALL BE PLACED A MINIMUM OF 3" FROM VAULT EXTERIOR WALL.

- LADDER**
- LADDER SHALL BE ALUMINUM ASTM B221, ALLOY 6063 - T6.
 - SIDERRAILS SHALL BE CONTINUOUS EXTRUDED CHANNELS OR TUBES, NOT LESS THAN 2 1/2" DEEP, 3/4" WIDE, AND 1/8" THICK. MINIMUM CLEAR DISTANCE BETWEEN SIDERRAILS SHALL BE 16".
 - RUNGS SHALL BE EXTRUDED TUBES NOT LESS THAN 3/4" DEEP AND NOT LESS THAN 1/8" THICK, WITH RIBBED TREAD SURFACES. RUNG MINIMUM SPACING SHALL BE 16". EACH RUNG SHALL SUPPORT A MINIMUM LOAD OF 250 POUNDS PLACED AT THE CENTER OF THE RUNG.
 - LADDER SHALL BE VERTICAL AND CENTERED ON THE HATCH. A MINIMUM CLEARANCE BETWEEN RUNGS AND VAULT INTERIOR WALL SHALL BE PROVIDED.
 - PROVIDE TYPE 316 STAINLESS STEEL FASTENERS FOR FASTENING ALUMINUM.
 - PROVIDE EXTENDABLE LADDER SAFETY BAR.

- ACCESS HATCHES**
- HALLIDAY SAFETY HATCHES INSTALLED IN ACCORDANCE WITH OSHA REQUIREMENTS.
 - ACCESS HATCHES SHALL BE 1/4" THICK DIAMOND PATTERN ALUMINUM COVER PLATE WITH TYPE 316 STAINLESS STEEL HINGES AND HARDWARE.
 - ACCESS HATCHES SHALL BE RECESSED AND LOCKABLE. RECESSED LIFTING HANDLE AND RECESSED LOCK BOX FOR PADLOCK SHALL BE PROVIDED.
 - MINIMUM HATCH SIZE SHALL BE 36" X 36" FOR LADDER ACCESS, 36" X 48" CENTERED ABOVE EACH METER.

ELECTRICAL SPECIFICATIONS

CONDUIT: SCHEDULE 80 PVC BELOW GRADE AND IN VAULT. RIGID GALV. STEEL IN TRANSOSCLOSURE.

POWER CONDUCTORS: COPPER TYPE THWN, 75°C, 600V.

PANEL: LOADCENTER, SEE SCHEDULE.

COPPER BUS, SEPARATE GROUND BAR AND NEUTRAL BAR, COORDINATE SHORT CIRCUIT RATING WITH ELECTRIC UTILITY. PRIOR TO ORDERING. SERVICE ENTRANCE RATED.

SCADA: COORDINATE WITH CITY FOR PLC OR SCADA REQUIREMENTS (RADIO OR LANDLINE) CITY WILL MOUNT EQUIPMENT TO BACK PLATE. CONTRACTOR TO REINSTALL BACK PLATE AND PROVIDE FINAL CONNECTION.

LIGHT FIXTURE: () VAPORTIGHT WALL MOUNTED, WITH GLOBE - LED LAMP 20W POWER - HUBBELL # VL15WIG OR EQUAL.

VAULT RECEPTACLE: () DUPLEX RECEPTACLE 20A, 125V, WEATHERPROOF "IN USE" ENCLOSURE. MOUNT 36" ABOVE BOTTOM VAULT.

FLOAT SWITCH: (F) MERCURY FLOAT SWITCH - HIGH WATER INDICATOR SET AT FLOOR LEVEL.

JUNCTION BOX: () NEMA 4 J-BOX - 4"x4"x2"

SWITCH: (S) 1P-20A, 120/277V, WEATHERPROOF-WET-ENCLOSURE. MOUNT WITHIN REACH TOP OF LADDER.

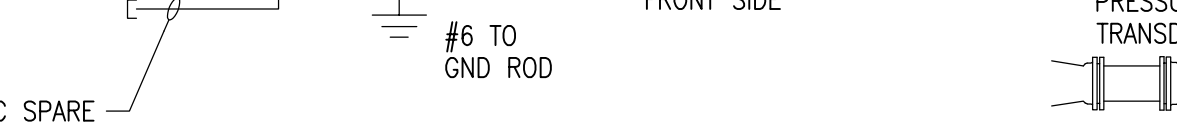
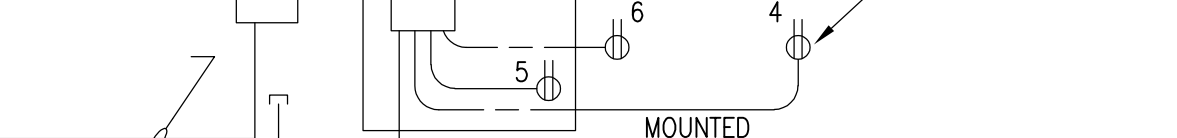
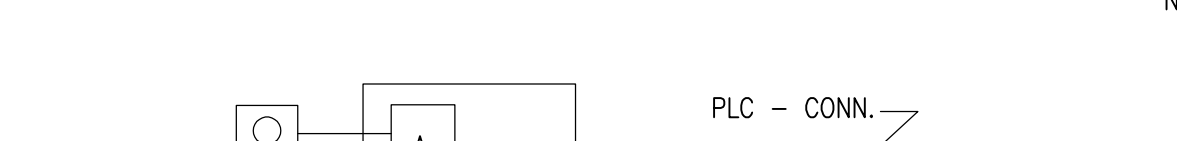
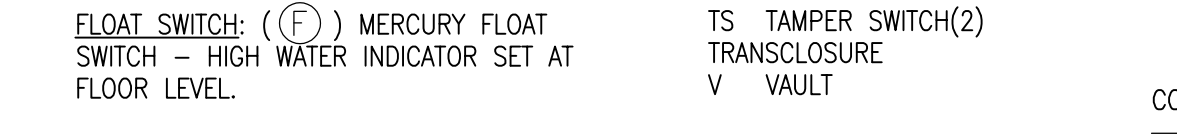
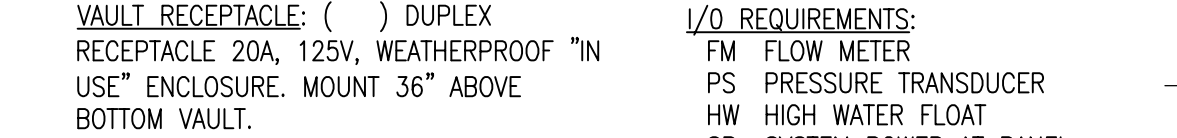
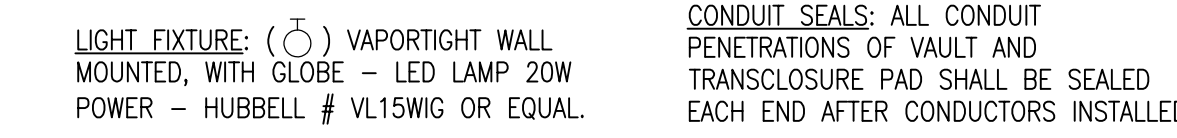
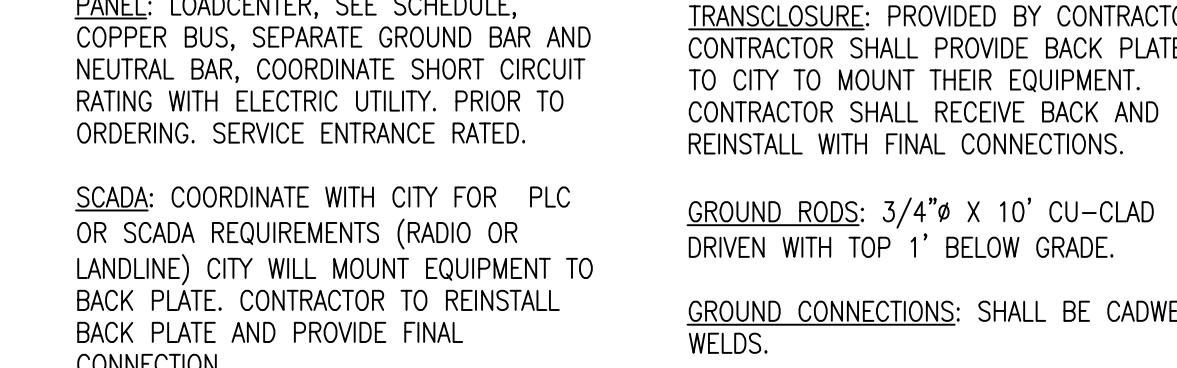
TRANSOSCLOSURE: PROVIDED BY CONTRACTOR. CONTRACTOR SHALL PROVIDE BACK PLATE TO CITY TO MOUNT THEIR EQUIPMENT. CONTRACTOR SHALL RECEIVE BACK AND REINSTALL WITH FINAL CONNECTIONS.

GROUND RODS: 3/4" x 10' CU-CLAD DRIVEN WITH TOP 1' BELOW GRADE.

GROUND CONNECTIONS: SHALL BE CADWELDED WELDS.

CONDUIT SEALS: ALL CONDUIT PENETRATIONS OF VAULT AND TRANSOSCLOSURE PAD SHALL BE SEALED EACH END AFTER CONDUCTORS INSTALLED.

I/O REQUIREMENTS:
 FM FLOW METER
 PS PRESSURE TRANSDUCER
 HW HIGH WATER FLOAT
 SP SYSTEM POWER AT PANEL
 TS TAMPER SWITCH(2)
 TRANSOSCLOSURE
 V VAULT



PANEL 'X' SCHEDULE									
60A M.C.B. 120/240 V, 1 PHASE, 3 WIRE, 40A, SURGE PROTECTOR, SEE NOTE BELOW									
LOAD SERVED	LOAD (AMPS)	BRK	WIRE SIZE	CON. NO.	CON. NO.	WIRE SIZE	BRK	LOAD (AMPS)	LOAD SERVED
	A	B	TRIP	A	B	TRIP	A	B	
LIGHTS - VAULT	5	20	12	1	2	12	20	7	SUMP PUMP
RECEPT - WASTE VAULT	5	20	12	3	4	12	20	5	RECEPT - COAM. SIDE
RECEPT - WASTE POWER SIDE	5	20	12	5	4	12	20	5	SPARE
SPACE	0	20	---	7	8	---	20	0	SPACE
SPACE	0	---	---	9	10	---	20	0	SURGE PROTECTOR
SPACE	0	---	---	11	12	---	---	0	---
TOTAL	8	5					12	5	TOTAL

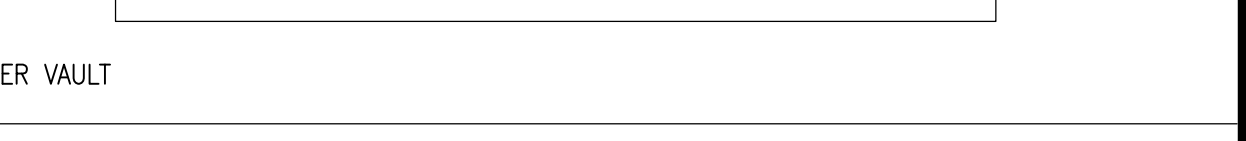
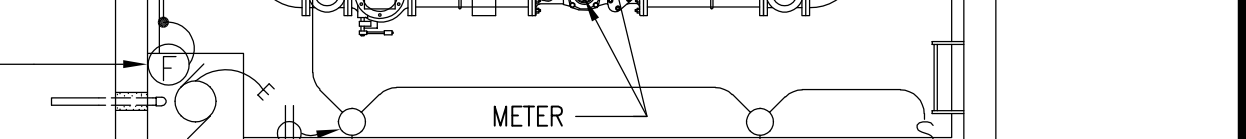
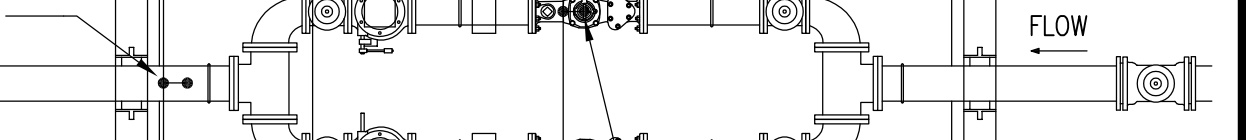
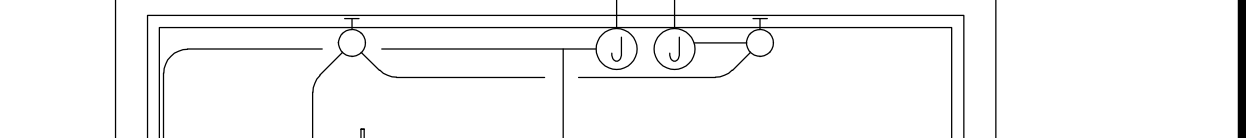
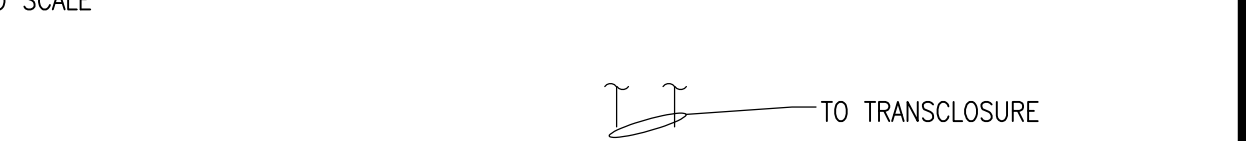
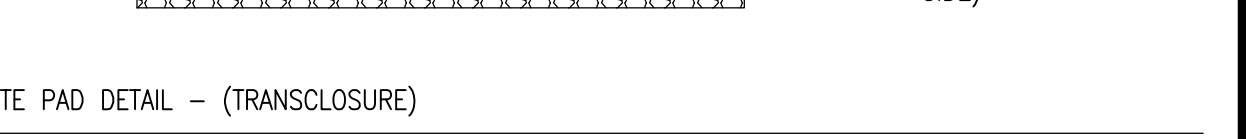
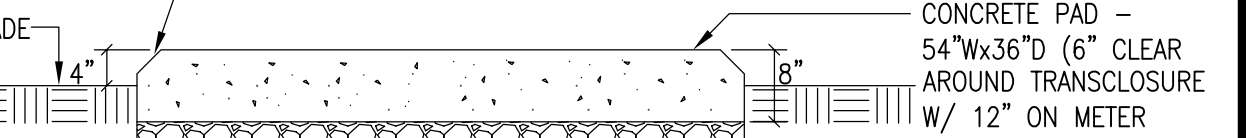
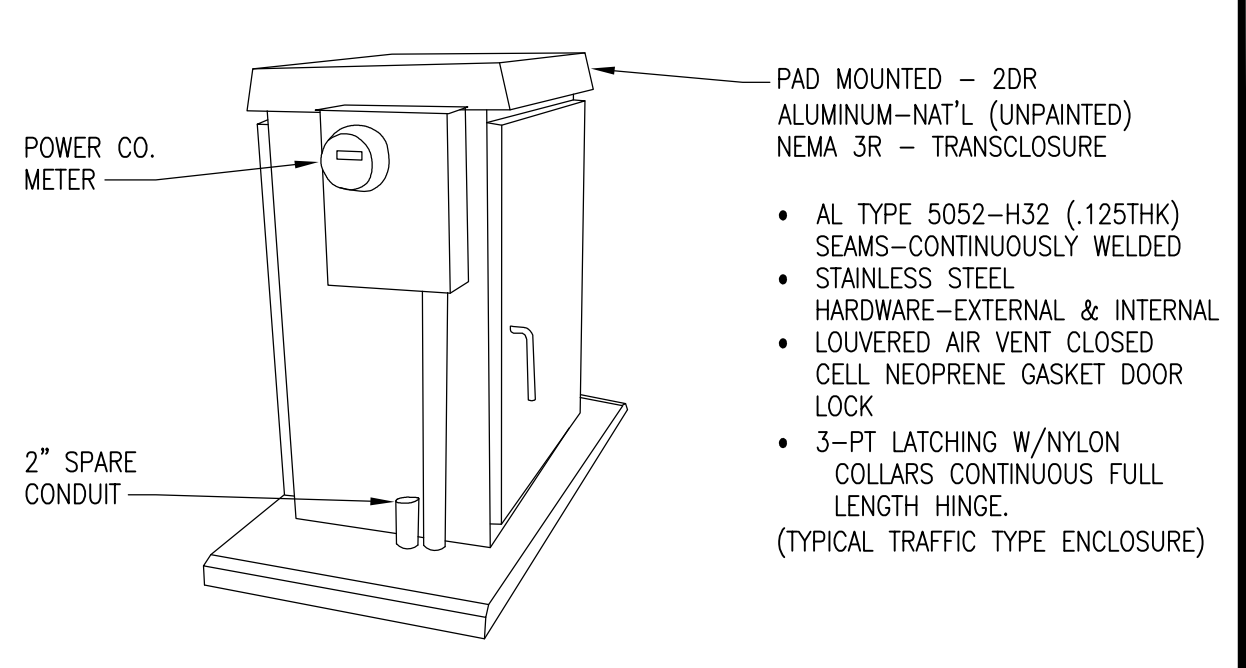
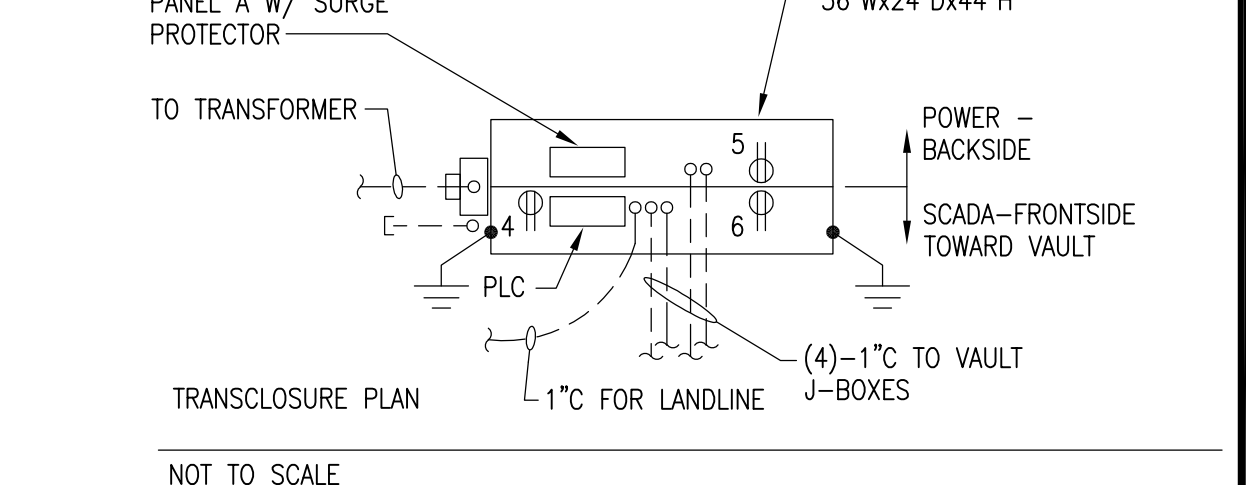
NOTE: PRIOR TO ORDERING PANEL - CONTRACTOR SHALL CONFIRM AVAILABLE SHORT CIRCUIT CURRENT FROM UTILITY COMPANY.

- HATCHES SHALL BE TRAFFIC RATED FOR OFF STREET LOCATIONS NOT SUBJECT TO HIGH DENSITY TRAFFIC.
- HATCHES SHALL BE SPRING ASSISTED OR HYDRAULIC ASSISTED.

- METER AND PIPING**
- ALL METERS, VALVES AND PIPING SHALL BE IN ACCORDANCE WITH AWWA SPECIFICATIONS AND STANDARDS.
 - PIPING WITHIN VAULT SHALL BE DUCTILE IRON FLANGED PIPE. EXTERIOR PIPING SHALL BE DUCTILE IRON MECHANICAL JOINT (RESTRAINED) PIPE. ALL PIPING SHALL BE THICKNESS CLASS 52.
 - METER OR METERS SHALL BE SENSUS TURBO-METER OR APPROVED EQUAL WITH STRAINER. (TO BE INSTALLED BY CITY FORCES).
 - LENGTH OF SPOOL PIECE SHALL BE A MINIMUM OF 5 PIPE DIAMETERS UPSTREAM OF THE METER, 3 PIPE DIAMETERS DOWNSTREAM OF THE METER.
 - GATE VALVES SHALL BE RESILIENT SEAT. GATE VALVES WITHIN VAULT SHALL BE WHEEL OPERATED. EXTERIOR GATE VALVES SHALL BE OPERATED WITH SQUARE NUTS. VALVE BOX SHALL BE AS PER UTILITIES STANDARD CWS 03 OR CWS 04 AS APPROPRIATE.
 - BY-PASS PIPING, FITTINGS AND VALVES SHALL BE 4" IN DIAMETER FOR 6" METER UP TO 10" FOR 12" METER.
 - PIPING SHALL BE SUPPORTED BY MANUFACTURED CAST IRON OR GALVANIZED STEEL SUPPORTS.
 - PIPING PENETRATIONS THROUGH CONCRETE SHALL BE SEALED USING LINK - SEAL AND A STEEL SLEEVE WITH WATER STOP COLLAR.

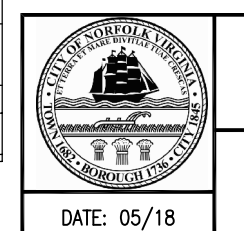
- SUMP PUMP**
- PROVIDE A FLOAT OPERATED 12 GPM SUMP PUMP WITH PIT.
 - PROVIDE 1 1/2" PVC SCHEDULE 80 DISCHARGE PIPE. DISCHARGE PIPING SHALL INCLUDE COUPLINGS, GATE VALVE, CHECK VALVE AND FITTINGS.
 - TERMINATE SUMP DISCHARGE PIPING AT NEAREST STORM DRAINAGE STRUCTURE.

- ELECTRICAL**
- VAULT INTERIOR SHALL HAVE LIGHTING. SEE BELOW.
 - PROVIDE TELEMETRY SYSTEM TO RELAY WATER METER DATA AS REQUIRED BY NORFOLK UTILITIES DEPARTMENT. MUST COORDINATE WITH MOST CURRENT SCADA REQUIREMENTS TO BE PROVIDED BY NORFOLK UTILITIES.



PANEL 'X' SCHEDULE									
60A M.C.B. 120/240 V, 1 PHASE, 3 WIRE, 40A, SURGE PROTECTOR, SEE NOTE BELOW									
LOAD SERVED	LOAD (AMPS)	BRK	WIRE SIZE	CON. NO.	CON. NO.	WIRE SIZE	BRK	LOAD (AMPS)	LOAD SERVED
	A	B	TRIP	A	B	TRIP	A	B	
LIGHTS - VAULT	5	20	12	1	2	12	20	7	SUMP PUMP
RECEPT - WASTE VAULT	5	20	12	3	4	12	20	5	RECEPT - COAM. SIDE
RECEPT - WASTE POWER SIDE	5	20	12	5	4	12	20	5	SPARE
SPACE	0	20	---	7	8	---	20	0	SPACE
SPACE	0	---	---	9	10	---	20	0	SURGE PROTECTOR
SPACE	0	---	---	11	12	---	---	0	---
TOTAL	8	5					12	5	TOTAL

NOTE: PRIOR TO ORDERING PANEL - CONTRACTOR SHALL CONFIRM AVAILABLE SHORT CIRCUIT CURRENT FROM UTILITY COMPANY.



CITY OF NORFOLK - DEPARTMENT OF UTILITIES
 STANDARD DETAILS
 6" TO 12" DUAL WATER METER VAULT
 SCALE: NOT TO SCALE
 DRAWING NO. CW 08