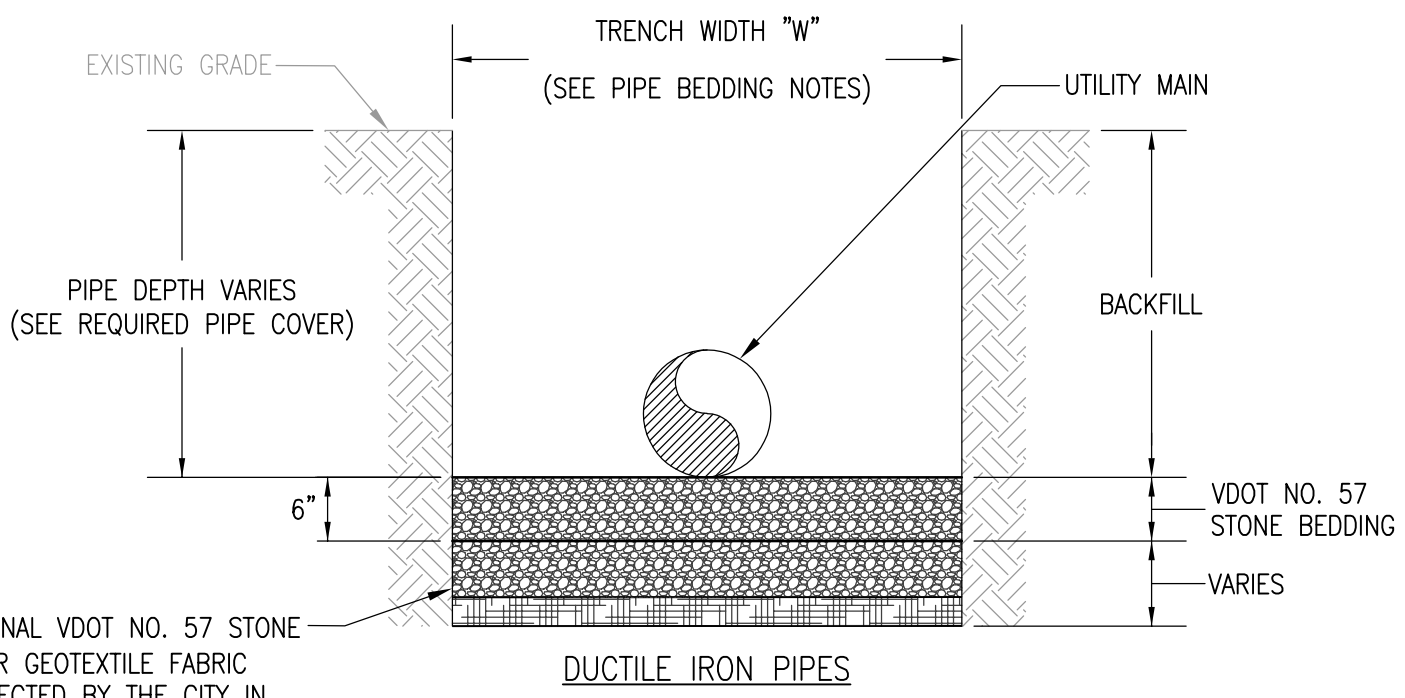


ADDITIONAL VDOT NO. 57 STONE AND/OR GEOTEXTILE FABRIC AS DIRECTED BY THE CITY IN THE FIELD. TO BE PAID BASED ON UNIT PRICE



ADDITIONAL VDOT NO. 57 STONE AND/OR GEOTEXTILE FABRIC AS DIRECTED BY THE CITY IN THE FIELD. TO BE PAID BASED ON UNIT PRICE



CITY OF NORFOLK – DEPARTMENT OF UTILITIES
STANDARD DETAILS

SCALE:
NOT TO SCALE

PIPE BEDDING

DRAWING NO.
CWS 05

DATE: 03/18