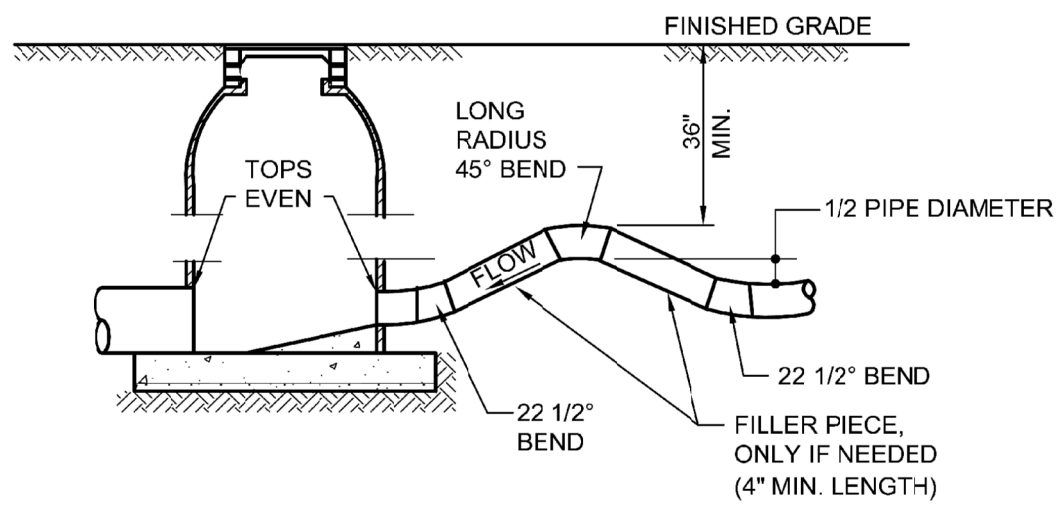


FOR DISCHARGE INTO SHALLOW MANHOLE



FOR DISCHARGE INTO STANDARD MANHOLE

NOTES:

1. ALL JOINTS MUST BE PROTECTED BY RETAINER GLANDS OR THREADED RODS (GALV.).
2. ALL RESTRAINTS SHALL BE IN ACCORDANCE TO LOCALITY REQUIREMENTS.
3. COAT MANHOLE PER LOCALITY REQUIREMENTS.

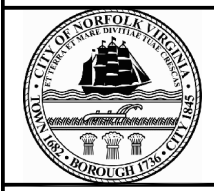
FORCE MAIN SAXOPHONE

NOT TO SCALE

REFERENCE 200,803	CATEGORY SANITARY SYSTEMS	DATE 6/16	SHEET No. 1 OF 1	DETAIL No. SS_17
----------------------	------------------------------	--------------	---------------------	---------------------

CITY OF NORFOLK MODIFICATION

1. ADDITIONAL NOTE
 - 1.1. ALL FITTINGS SHALL BE RESTRAINED WITH MEGALUG RESTRAINTS OR APPROVED EQUAL.



DATE: 03/18

CITY OF NORFOLK – DEPARTMENT OF UTILITIES
STANDARD DETAILS

SCALE:
NOT TO SCALE

FORCE MAIN SAXOPHONE

DRAWING NO.
SS-17-NM